

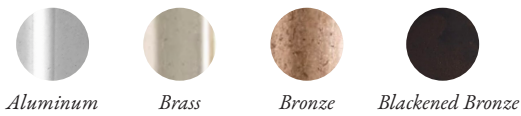
STAHL + BAND



PSL Handle in Bronze (L) shown in Brass (R)

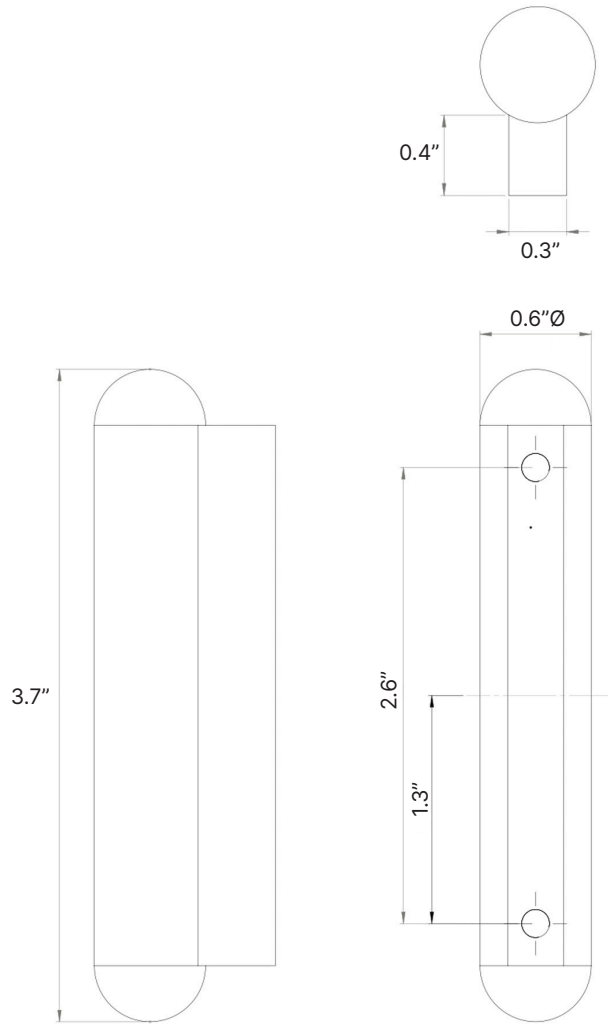
PSL HANDLE

| | |
|---------------------|------------------------------------------------------------------------|
| Standard Dimensions | 1" H x 3.7" W x 0.6" D |
| Materials | Aluminum, Brass or Bronze |
| Available Finishes | Weight : 2.1 oz (Aluminum) 7 oz (Brass) 7.2 (Bronze, Blackened Bronze) |
| List Price* | Contact for Price |



STAHL + BAND

Specification Drawing



Care Instructions

Finish

They will arrive with a bright finish but will oxidise and darken over time to reveal a distinctive patina. Simply use a metal polish to restore a like-new finish.

**List pricing is subject to change and does not include shipping.*