



Augustus Pendant shown in Stone (L), also shown in Anthracite (R)

## AUGUSTUS PENDANT

Standard Dimensions	Body: 16 3/4" Ø x 9" H Suspension: Fixed brass rod, 3 ft OAL standard (overall length is measured from ceiling to bottom of the fixture, additional length priced per inch.) Weight : 27 lbs
Materials	Ceramic, glass, brass
Details	Bulbs Included: G9/110V/4.5W/450lm/2700K/dimmable (1) Wiring : Hardwired Dimmable : TRIAC compatible Certifications: UL listed, damp-rated Customizable : Contact for inquiries
Available Finishes	See following page
List Price*	Contact for Price

# STAHL + BAND

---

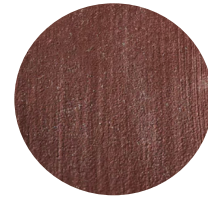
## Standard Shade Finishes



*Stone*



*Anthracite*



*Hazelnut*



*Ivy*



*Lapis*



*Terrasig*

---

## Metal Hardware Finishes



*Brass*



*Patinated Brass*

---

## Special Metal Hardware Finishes



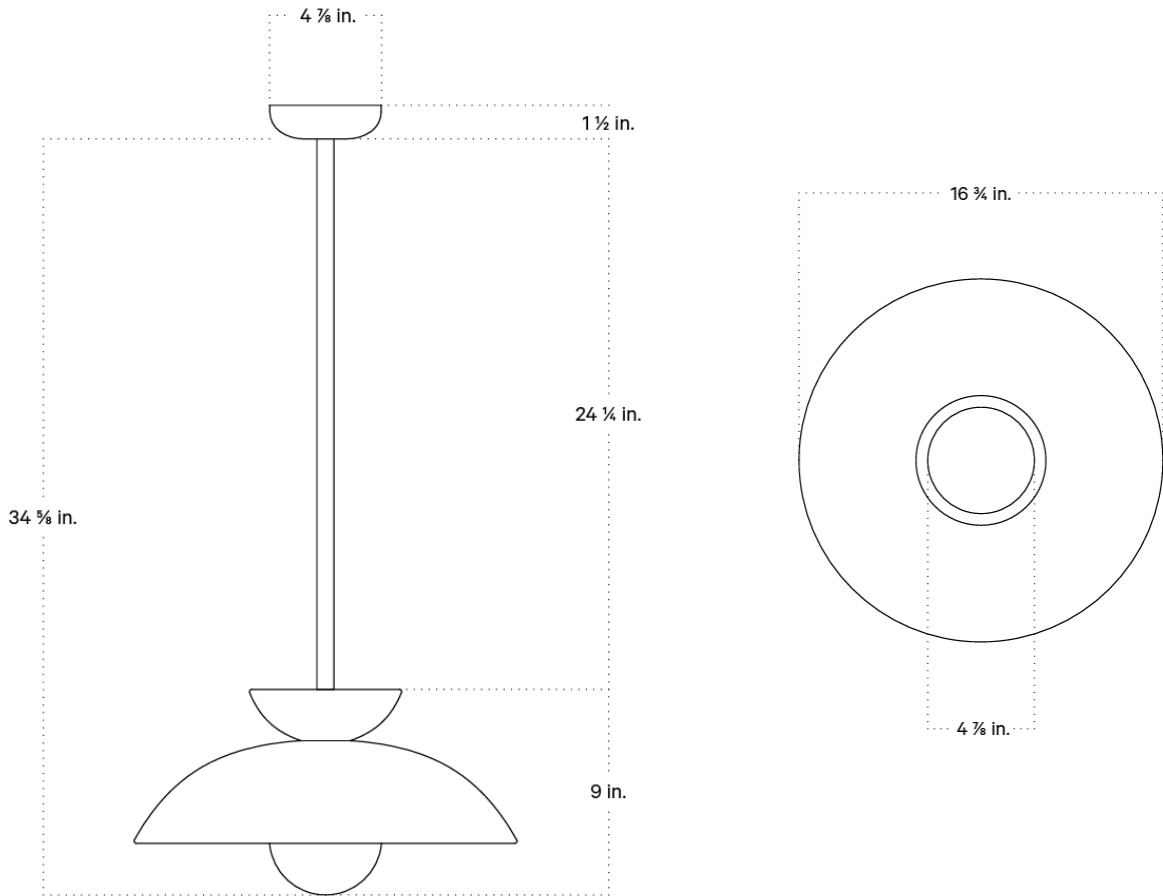
*Blackened Brass*



*Pewter*

STAHL + BAND

Specification Drawing



## STAHL + BAND

---

### Care Instructions

#### General

Never use scouring pads or abrasive cleaning solutions. We recommend using soft microfiber cloths.

#### Metal

Wipe with a damp or dry microfiber cloth. Please note that our brass is unlaquered, and will darken naturally over time.

#### Glass

Wipe clear or colored glass with a damp microfiber cloth. For sandblasted or etched glass, use a dry microfiber cloth. Removable glass shades can be washed carefully in a sink using warm or hot water.

#### Ceramic

Wipe with a damp microfiber cloth. Do not submerge in water.

---

### Note

This fixture has handmade elements and may exhibit variability within the same piece. These variations are inherent in the production process and are not to be considered as defects. We do our best to maintain a consistent product while honoring handmade craftsmanship.

---

### Installation Instructions

Please contact for installation instructions.

*\* List pricing is subject to change and does not include shipping.*