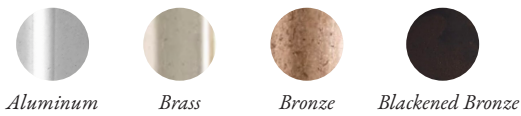


PSL Handle XL in Brass (L) shown in Aluminum(R)

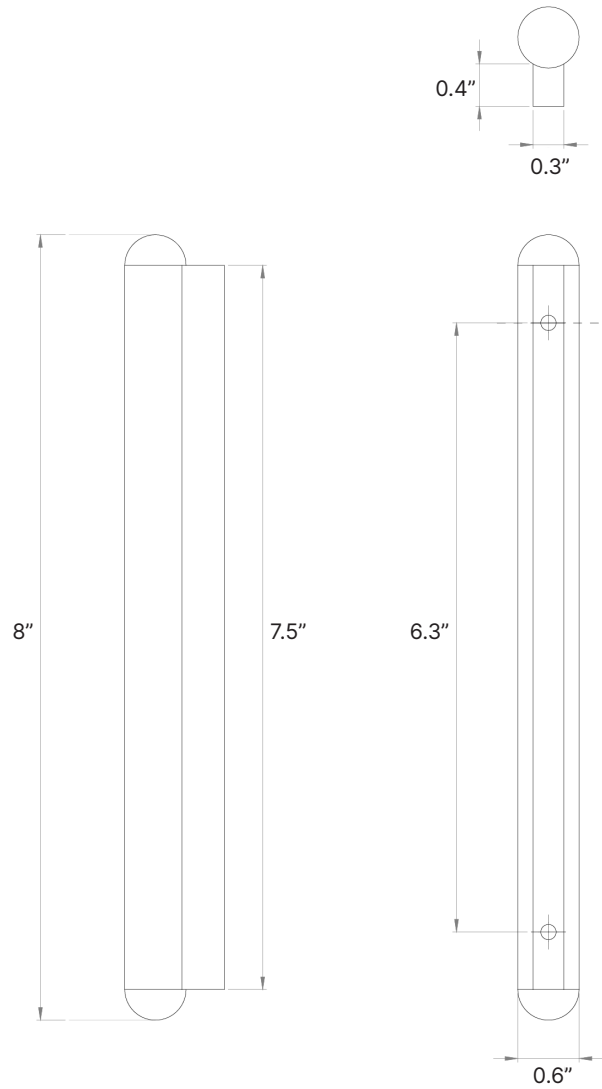
PSL HANDLE XL

Standard Dimensions	0.6" H x 8" W x 1" D
Materials	Aluminum, Brass or Bronze
Available Finishes	Weight : 7.6 oz (Aluminum) 16.3 oz (Brass) 16.8 (Bronze, Blackened Bronze)
List Price*	Contact for Price



STAHL + BAND

Specification Drawing



Care Instructions

Finish

They will arrive with a bright finish but will oxidise and darken over time to reveal a distinctive patina. Simply use a metal polish to restore a like-new finish.

** List pricing is subject to change and does not include shipping.*