



SPULE COFFEE TABLE  
*Assembly Guide*

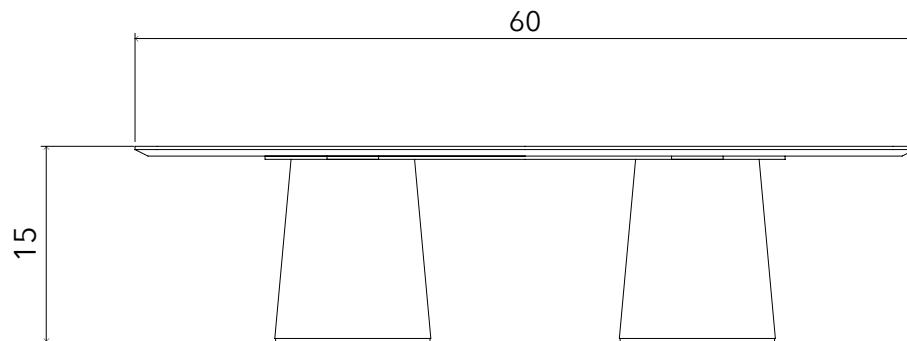
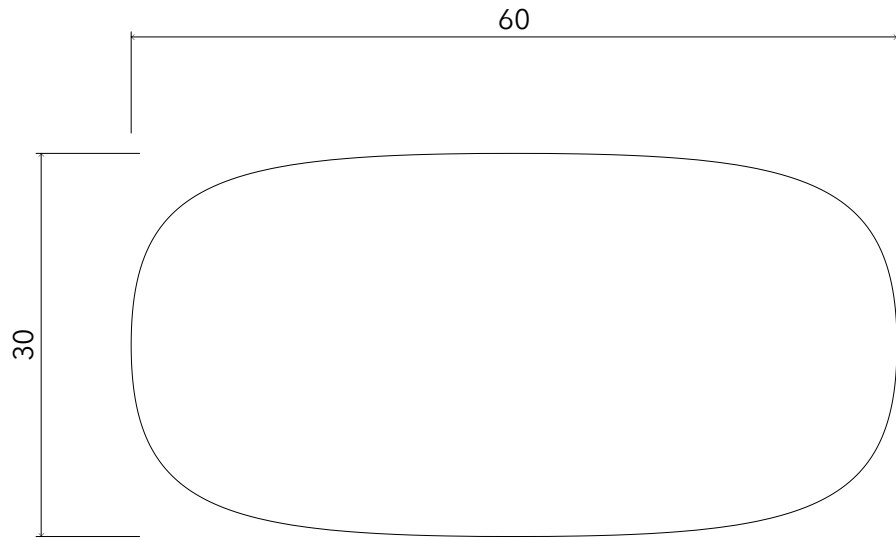


STAHLANDBAND.COM  
2308 ABBOT KINNEY BLVD.  
(424) 228-4900



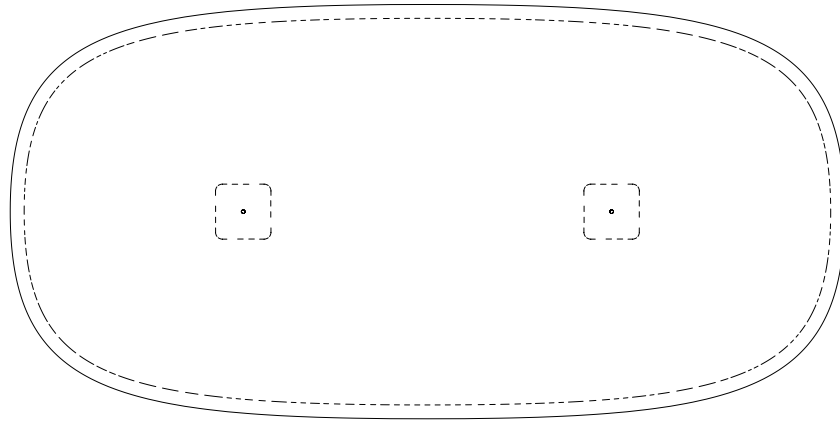
# SPULE COFFEE TABLE

*Specifications*

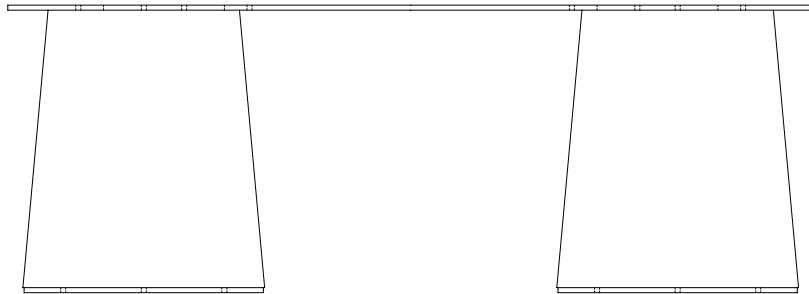




SPULE COFFEE TABLE  
*Components*

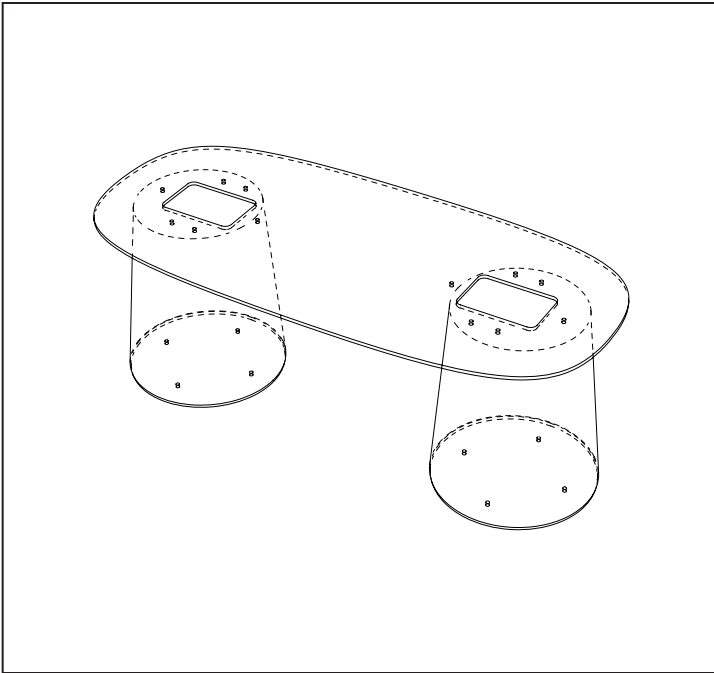


STONE TOP



BASE

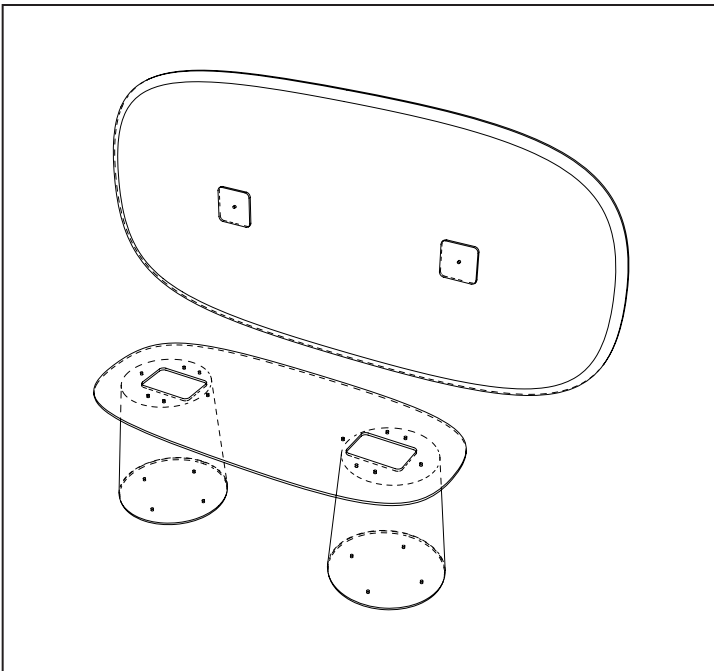
## Step 1



Identify where the coffee table will sit and place base there. Ensure it is in desired orientation and position, as moving once the top is attached will be difficult.

\*Optional - place glue inside metal cutouts for top to adhere to.

## Step 2

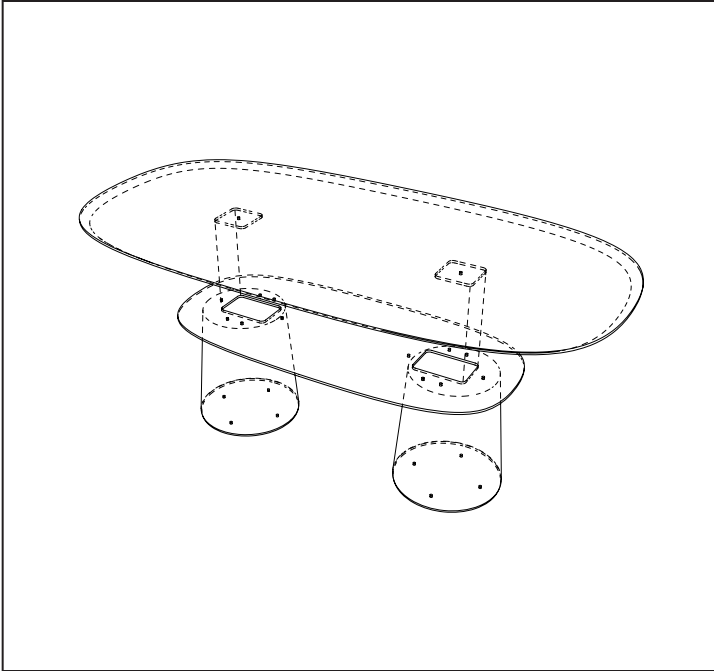


Three to four people are required for this step.

Holding vertically, align stone top perpendicular with metal base plate.

Visually align the two squares on underside of stone top with square holes on metal baseplate.

### Step 3



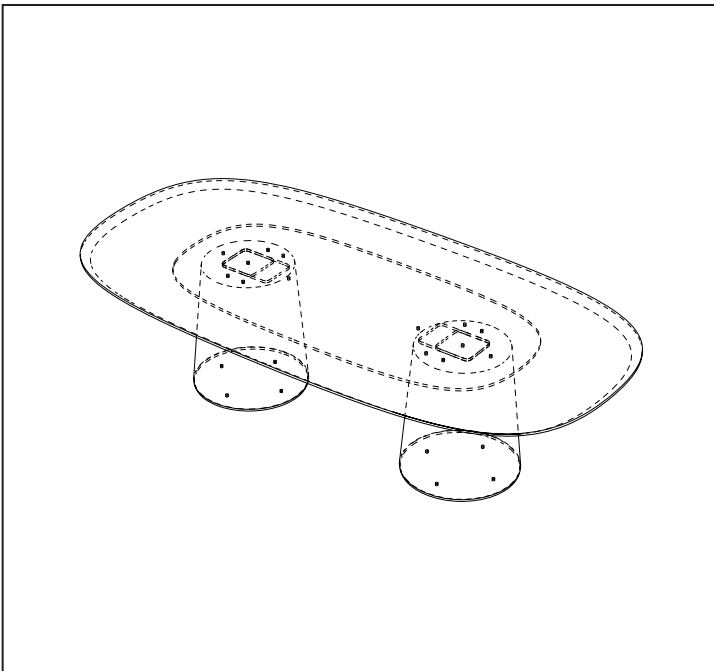
Evenly and carefully lower stone onto metal baseplate.

Visually maintain alignment between squares on stone and metal baseplate.

\*Squares are perfectly fit to square holes, they will fit

\*If metal base is glued, avoid shifting stone top too much.

### Step 4



Assembly complete. Enjoy.

If piece is glued, allow 24 hours for glue to dry before placing objects on table.