

# STAHL+BAND



EARTH LIGHT

Starting Price: \$725 | small: 6.7"H x 3.75"D, large: 8.5"H x 4.9"D | Ceramics

*\*Available in other finish options*

# STAHL+BAND



SPECKLED WHITE  
GLOSS GLAZE FINISH



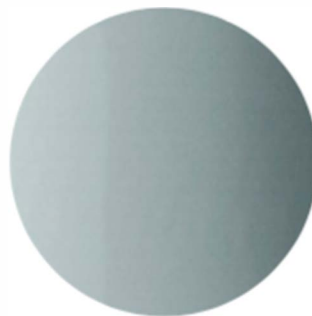
PURE WHITE  
GLOSS GLAZE FINISH



SATIN WHITE  
SATIN GLAZE FINISH  
NEW GLAZE  
OFFERING FOR 2019



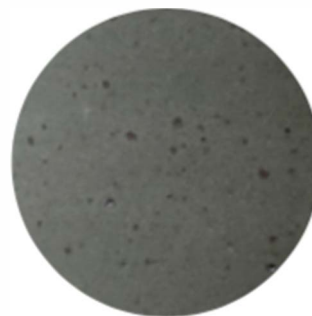
TERRACOTTA  
MATT CLAY BODY  
FINISH



DOVE GREY  
GLOSS GLAZE FINISH



CHARCOAL  
MATT GLAZE FINISH



OLIVE GREEN  
SATIN GLAZE FINISH  
NEW GLAZE OFFERING  
FOR 2019

# STAHL+BAND

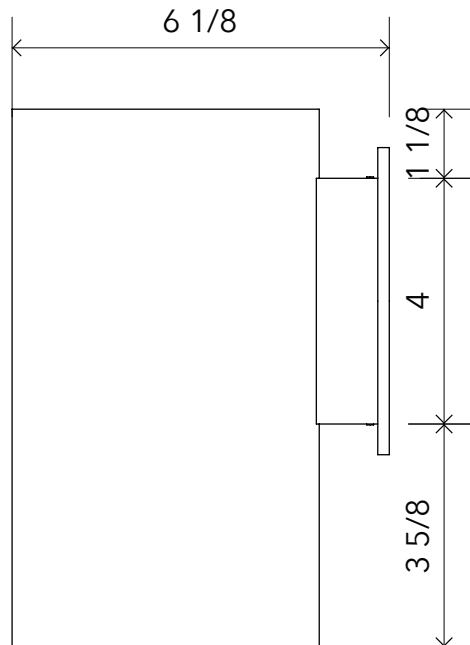
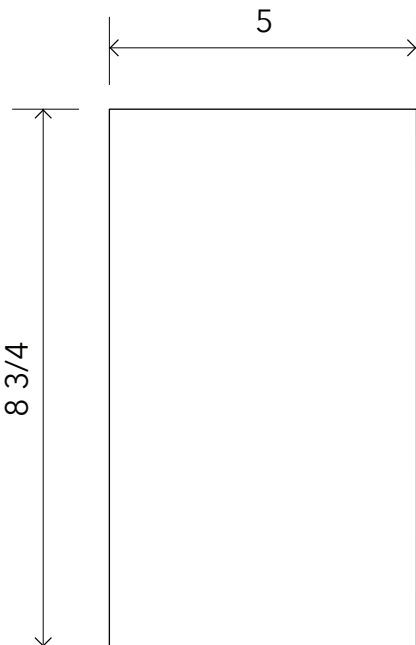
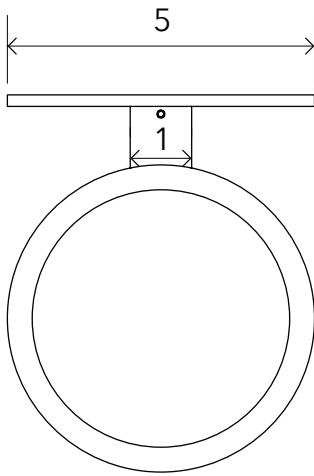
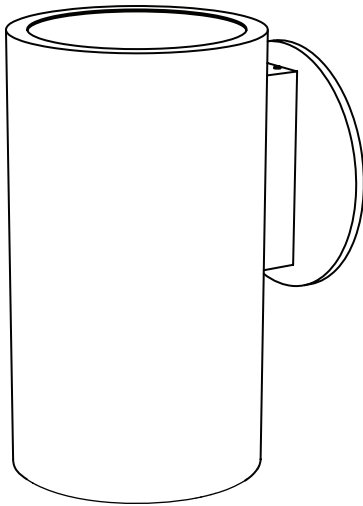
EARTH LIGHT

CERAMICS

8 3/4" H X 5" D

INFO: UL LISTED (WET OR DAMP AVAILABLE)

SCREW SPACING ON THE BACK PLATE FOR  
JUNCTION BOX IS 3 1/4" APART  
(CENTER TO CENTER)



# STAHL+BAND

EARTH LIGHT

CERAMICS

8 3/4" H X 5" D

INFO: UL LISTED (WET OR DAMP AVAILABLE)

SCREW SPACING ON THE BACK PLATE FOR  
JUNCTION BOX IS 3 1/4" APART  
(CENTER TO CENTER)

