


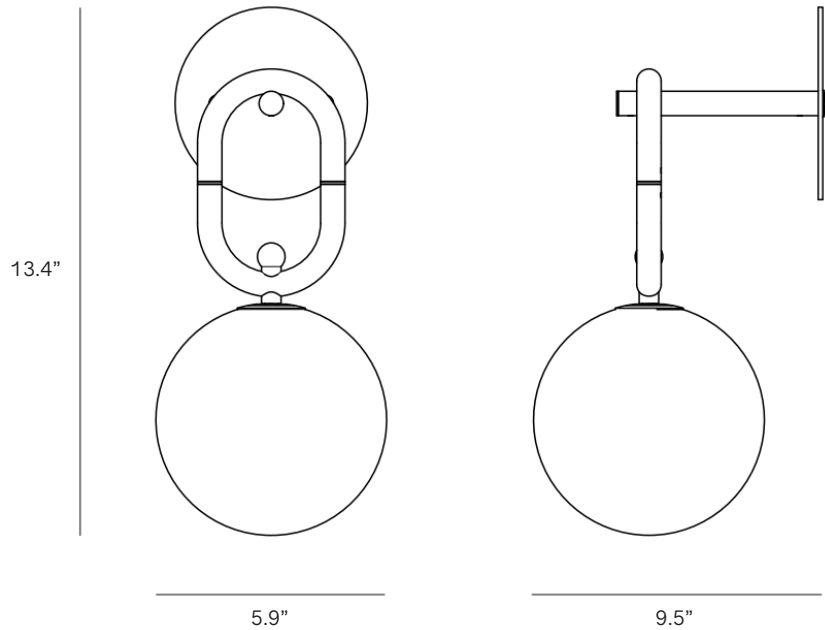


Missing Link shown in Aged finish.

MISSING LINK

Standard Dimensions	Body : 13.4" H x 5.9" W x 9.5" D
	Weight : 2.2lb (Approx.)
Materials	Brass
Details	Bulbs Included: 240V G9 LED or 12V G4 LED
	Dimmable : Yes
	UL Listed : UL compatible - Certification available upon request.
	Driver included: Driver (required for G4 12V only): 110V - 240V
	Customizable : Contact for inquiries.
Available Finishes	
	<p><i>Polished Aged Brushed Bronzed Black</i></p> <p>(Color coated and metal plated also available upon request.)</p>
List Price*	Contact for Price

Specification Drawing



Care Instructions

Unsealed Finishes

Our brushed and bronzed brass finishes are optionally available without a protective lacquer. These finishes will tarnish quickly if touched by bare hands. We recommend leaving these finishes to age and patina naturally, however if desired they can be lightly dusted with a clean, dry microfibre cloth. Never use any liquids when cleaning unsealed surfaces.

Sealed Finishes

Our satin and clear lacquered brass variations, enameled steel, and chrome plated finishes may be dusted with a clean microfibre cloth. If further cleaning is required, gently wipe with a damp microfibre cloth or use a mild glass cleaner, ensuring that no liquids come in to contact with any joints, seams or electrical componentry.

Lamps and Glass Shades

Lamps, glass shades and glass shells may be gently dusted with a dry microfibre cloth. If further cleaning is required, gently wipe with a damp microfibre cloth or use a mild glass cleaner, ensuring that no liquids come in to contact with any unsealed brass finishes.

Installation Instructions

See attached document.

** List pricing is subject to change and does not include shipping.*