


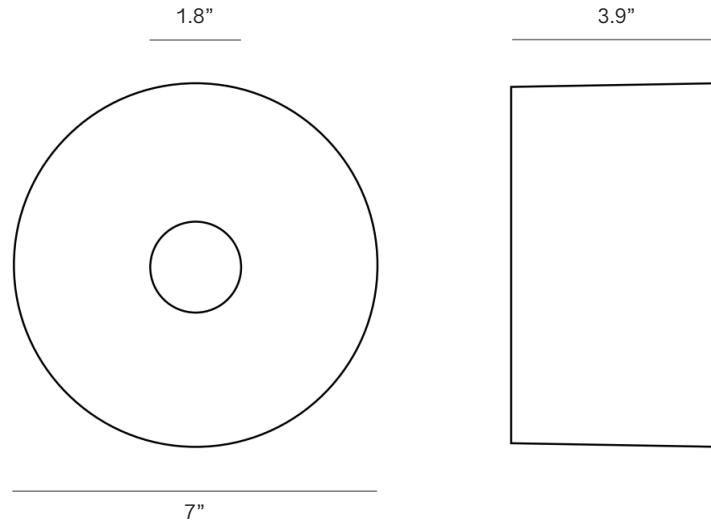


Blown Glass Anton.

BLOWN GLASS ANTON

Standard Dimensions	Body : 7" Ø x 4" D Weight : 2.2 lb
Materials	Blown Glass
Details	Bulbs Included: 12V G4 LED (3)
	Dimmable : Yes
	UL Listed : UL compatible (certification available upon request.)
	Driver included: (110V - 240V)
Available Finishes	 <i>Opal</i>
	List Price * Contact For Price

Specification Drawing



Care Instructions

Unsealed Finishes

Our brushed and bronzed brass finishes are optionally available without a protective lacquer. These finishes will tarnish quickly if touched by bare hands. We recommend leaving these finishes to age and patina naturally, however if desired they can be lightly dusted with a clean, dry microfibre cloth. Never use any liquids when cleaning unsealed surfaces.

Sealed Finishes

Our satin and clear lacquered brass variations, enameled steel, and chrome plated finishes may be dusted with a clean microfibre cloth. If further cleaning is required, gently wipe with a damp microfibre cloth or use a mild glass cleaner, ensuring that no liquids come in to contact with any joints, seams or electrical componentry.

Lamps and Glass Shades

Lamps, glass shades and glass shells may be gently dusted with a dry microfibre cloth. If further cleaning is required, gently wipe with a damp microfibre cloth or use a mild glass cleaner, ensuring that no liquids come in to contact with any unsealed brass finishes.

** List pricing is subject to change and does not include shipping.*