






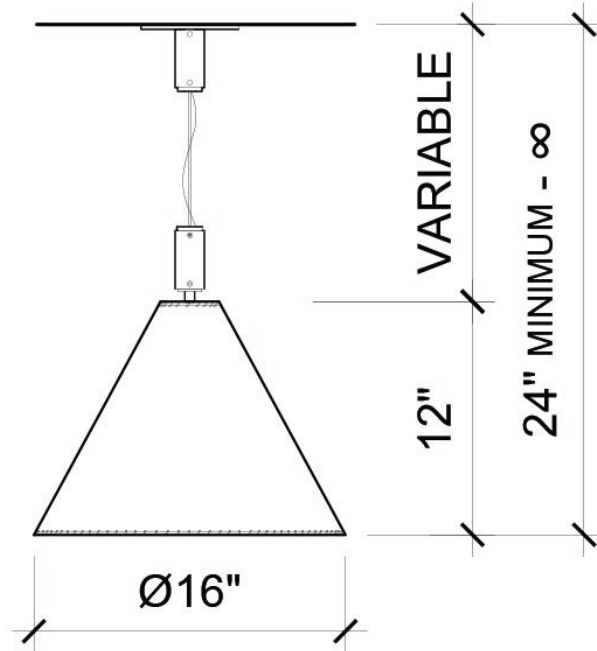


Series 02 Pendant shown in Goatskin Parchment.

SERIES 02 PENDANT

Standard Dimensions	Shade : 12" H x 16" Ø
	Cord Length : Variable (24" Minimum)
Materials	Solid machined brass, hand-stitched goatskin parchment shade with diffuser.
Details	Lamping: E-26
	Bulbs Included: Yes (LED 100 Watt Equivalent 2700k Dimmable)
	Dimmable : Yes
	UL Listed : Upon Request
	Customizable : No
Shade Finish	 <i>Goatskin</i>
Metal Finishes	 <i>Polished Unlacquered Brass</i>  <i>Dark Patinated Brass</i>  <i>"Smoke" Acid Patinated Brass</i>  <i>Matte Blackened Brass</i>
List Price *	Contact for Price

Specification Drawing



Care Instructions

Brass

Dust with a clean dry cloth with no detergent or chemicals whatsoever.

Shade

Does not typically require any maintenance other than occasional dusting with a clean dry cloth.

Installation Instructions

Mounts only to standard junction boxes with either 2-3/4" or 3-1/2" mounting screw distance. To be installed only by a licensed electrician.