

# STAHL+BAND



Elbow Wall Light (Wide) shown in Brass (left), Aluminum (right).

## ELBOW WALL LIGHT (WIDE)

### Standard Dimensions

Overall: 5" W x 3 3/4" D x 8" H

Weight: 1.7 lbs (Aluminum)

Weight: 3.5 lbs (Brass | Blackened)

### Materials

Brass, Aluminum

### Details

Lamping: GU10

Bulbs Included: No (5W | 400lm | 3.3w | 2700k-3000k Warm White | 110-120v)

Dimmable: Yes (Dimmer not supplied)

UL Listed Parts: UL Lamp Holder ( E3810) | UL Cord (ELBZ . E465216)

Customizable: Contact for inquiries.

### Available Metal Finishes



Brass



Blackened  
Brass



Aluminum

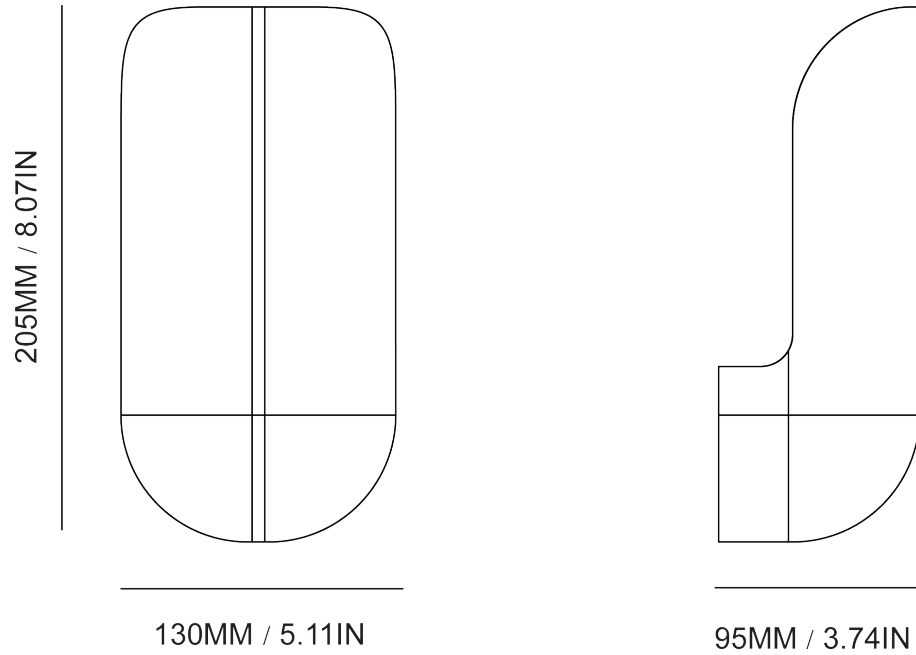
*\* Slight variations will occur and may include slight pour ripples or surface pitting, which imprint every item with a unique character.*

### List Price \*

Upon Request

# STAHL+BAND

## Specification Drawing



### Care Instructions

#### Metal Finish

The metal used for our range oxidise with age and environment, both of which contribute to the evolution of a natural patina. If you favor the original bright finish of your pieces, this is easily restored by use of polishing solution - we recommend Braso or Silvo depending on the metal in question - applied with a soft, clean cloth.

### Installation Instructions

See attached document.

# STAHL+BAND



Elbow Wall Light (Wide) shown in Brass (left), Aluminum (right).

## ELBOW WALL LIGHT (NARROW)

Standard Dimensions	Overall: 3.93" W x 3.74" D x 8.07" H Weight: 1.5 lbs (Aluminum) Weight: 3.3 lbs (Brass   Blackened)
Materials	Brass, Aluminum
Details	Lamping: GU10 Bulbs Included: No (5W   400lm   3.3w   2700k-3000k Warm White   110-120v) Dimmable: Yes (Dimmer not supplied) UL Listed Parts: UL Lamp Holder ( E3810)   UL Cord (ELBZ . E465216) Customizable: Contact for inquiries.

### Available Metal Finishes



Brass



Blackened  
Brass



Aluminum

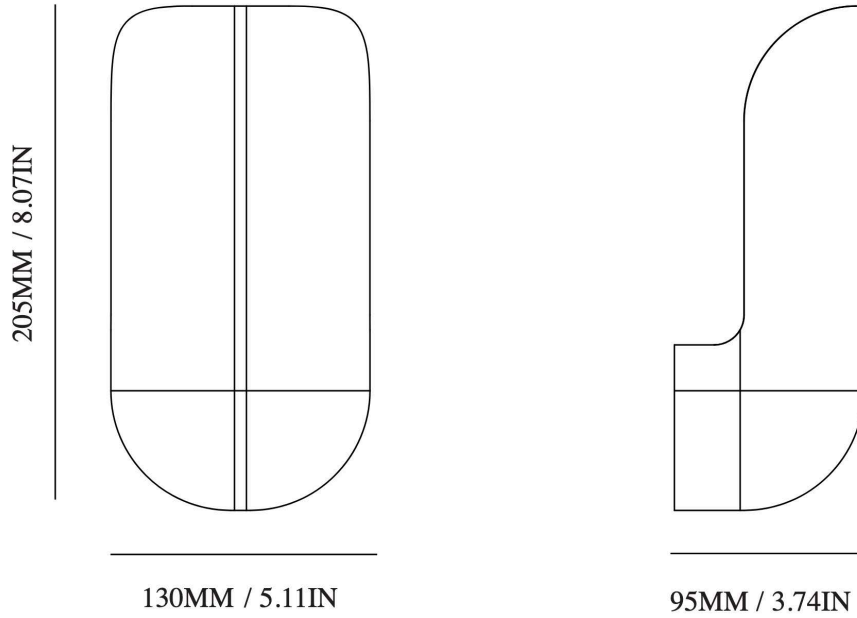
*\* Slight variations will occur and may include slight pour ripples or surface pitting, which imprint every item with a unique character.*

### List Price \*

Upon Request

# STAHL+BAND

## Specification Drawing



### Care Instructions

#### Metal Finish

The metal used for our range oxidise with age and environment, both of which contribute to the evolution of a natural patina. If you favor the original bright finish of your pieces, this is easily restored by use of polishing solution - we recommend Braso or Silvo depending on the metal in question - applied with a soft, clean cloth.

### Installation Instructions

See attached document.

# STAHL+BAND

---

