

# STAHL+BAND



Balanced Void Coffee Table shown in Iroko. *Designed by Vasco Mendes.*

## BALANCED VOID COFFEE TABLE

---

### Standard Dimensions

Overall: 66 3/4" L x 36 1/4" W x 18" H  
Approx Weight: 77 lbs

---

### Available Wood Finishes



*French Oak*    *Iroko*    *Mabogany*

*\* Due to the nature of live edge wood, natural splits and knots in wood may be visible and vary piece to piece. This does not affect the structural integrity of the piece. Dovetail bowtie placement will vary based on the cut of wood.*

---

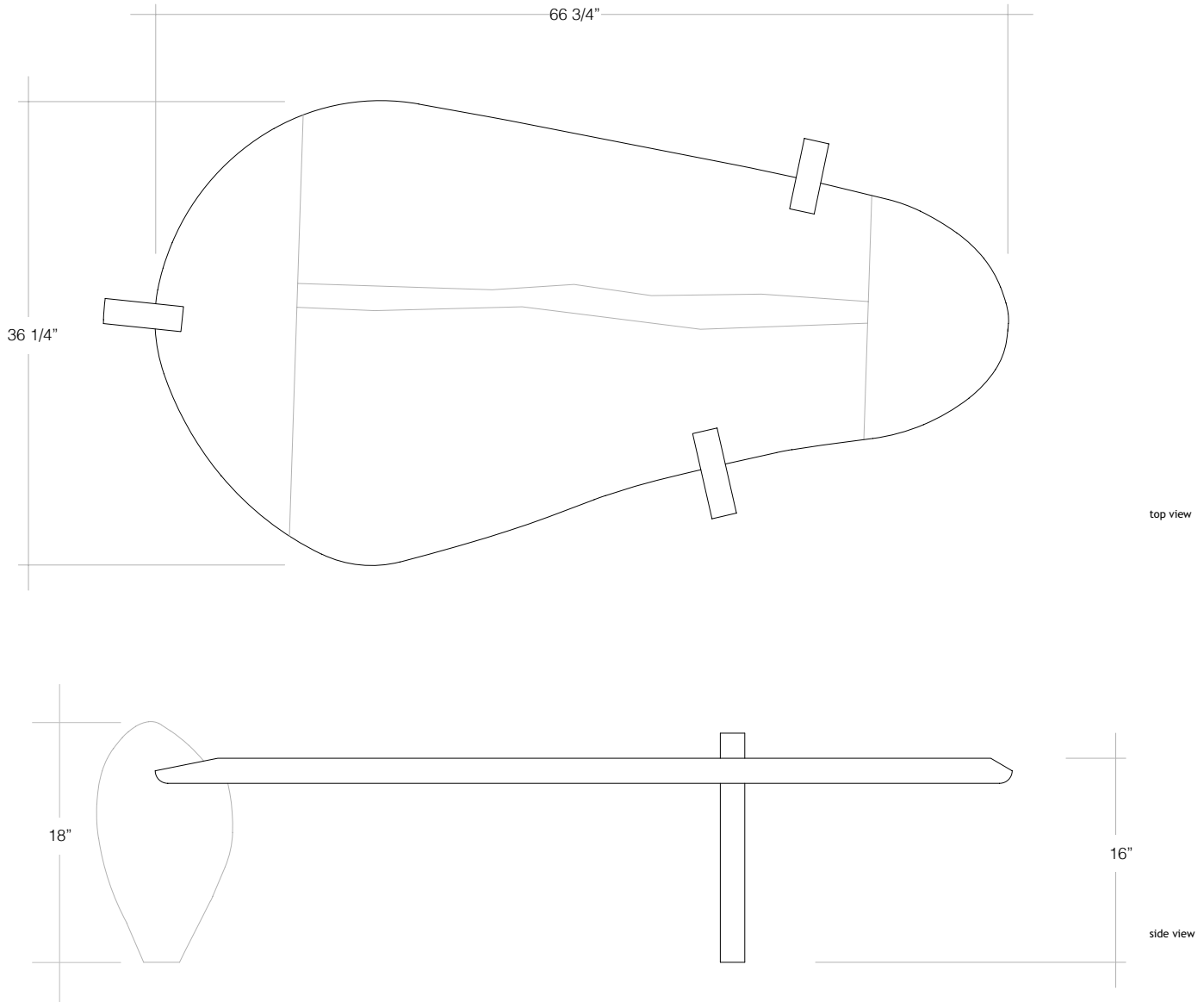
### List Price \*

Contact for pricing.

*\* List pricing is subject to change and does not include shipping.*

# STAHL+BAND

## Specification Drawing



**Care Recommendations** Keep in mind that solid wood expands and contracts due to humidity and temperature changes. All the work has been done to prevent these movements or allow them to happen without any damage or design appearance change. Cracks and small wood imperfections are part of our work and enhance the beauty of each crafted piece.

Exposure to excessive and direct sunlight is not recommended as it can lead to stains on the surface. Please variate placement of objects to avoid staining or color differences and make sure the piece is steadily placed to avoid tipping or any instability

Use a damp cloth to clean your piece regularly. Do not let water or spills sit on wooden surfaces for too long. Do not drag objects on the surface, as it can lead to scratches and loss of protection. Use heat and water-resistant coasters for hot cups and plates. Hot items can draw moisture from within the timber to create a cloudy ring. Do not position furniture close, over or under heating vents, fireplaces, or too close to electrical appliances.