



Faas Lounge Chair with Piping detail standing on White Oak feet (L) & Faas Lounge Chair Standard shown in COM and Walnut feet (R)

FAAS LOUNGE CHAIR

Standard Dimensions

Overall: 41" W X 38" D X 27 1/2" H
 Seat Height: 17 1/2"

COM

9 1/2 yards

** Minimum 54" plain goods, non-repeating pattern.*

Available Wood Feet Finishes



T1
 White Oak

T1
 Walnut

** Additional S+B Wood Finishes available upon request.
 ** Refer to S+B Material Guide for additional Finishes.*

Available Cast Feet Finishes



Bronze

** Additional S+B Wood Finishes available upon request.*

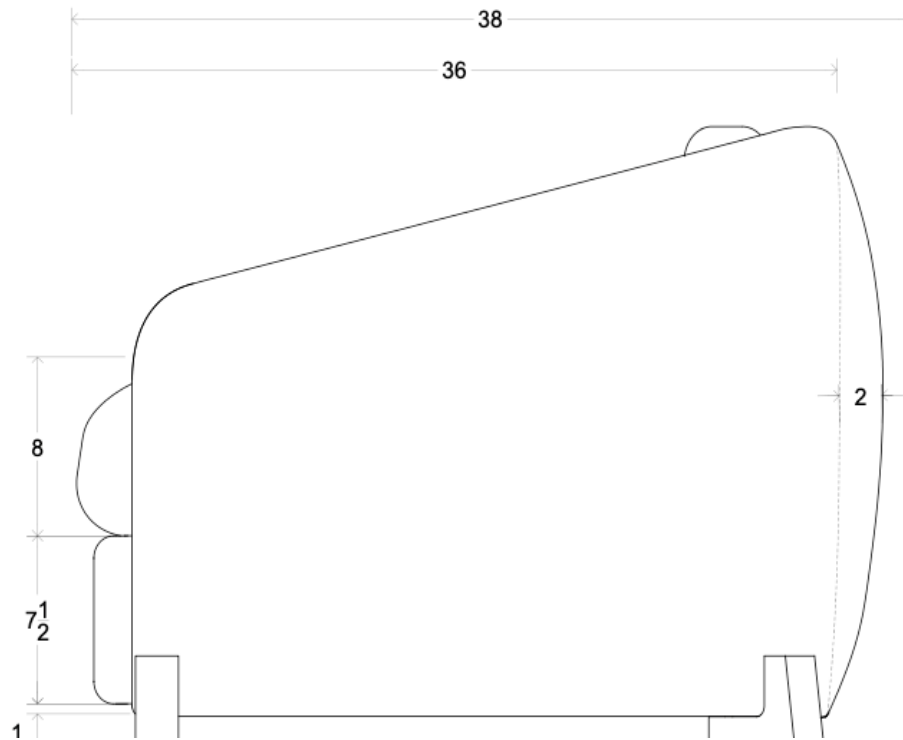
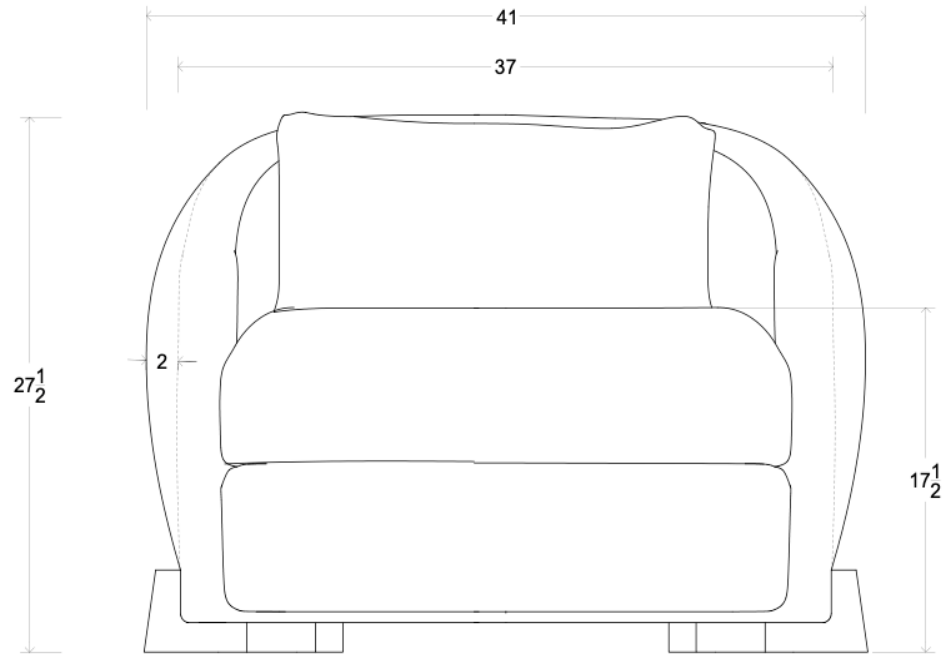
List Price *

Tier 1: \$7,100
 Tier 2: \$7,300

*(Additional \$300 direct cost for Piping)
 (Additional \$500 direct cost for Piping + Handstitching)
 (Additional \$1,000 direct cost with Cast Feet)*

** List pricing is subject to change and does not include shipping.
 * Client to provide color sample for thread will be closely matched to the fabric.
 * Handstitching + Piping are featured on the back pillow and seat cushion
 * Hand stitching subject to fabric compatibility.*

Specification Drawing





Faas Swivel Lounge Chair shown in Shearling

FAAS SWIVEL CHAIR

Standard Dimensions

Overall: 41" W X 38" D X 27 ½" H
 Seat Height: 17 ½"

COM

9 ½ yards

** Minimum 54" plain goods, non-repeating pattern.
 * COL pricing please inquire.*

Available Wood Feet Finishes



*T1
 White Oak*



*T1
 Walnut*

** Additional S+B Wood Finishes available upon request.
 ** Refer to S+B Material Guide for additional Finishes.*

List Price *

Tier 1: \$6,900

Tier 2: \$7,100

*(Additional \$300 direct cost for Piping)
 (Additional \$500 direct cost for Piping + Handstitching)*

** List pricing is subject to change and does not include shipping
 * Client to provide color sample for thread will be closely matched to the fabric.
 * Handstitching + Piping are featured on the back pillow and seat cushion.
 * Hand stitching subject to fabric compatibility.*

Specification Drawing

