

S+B

KONZE SCONCE

Assembly Guide

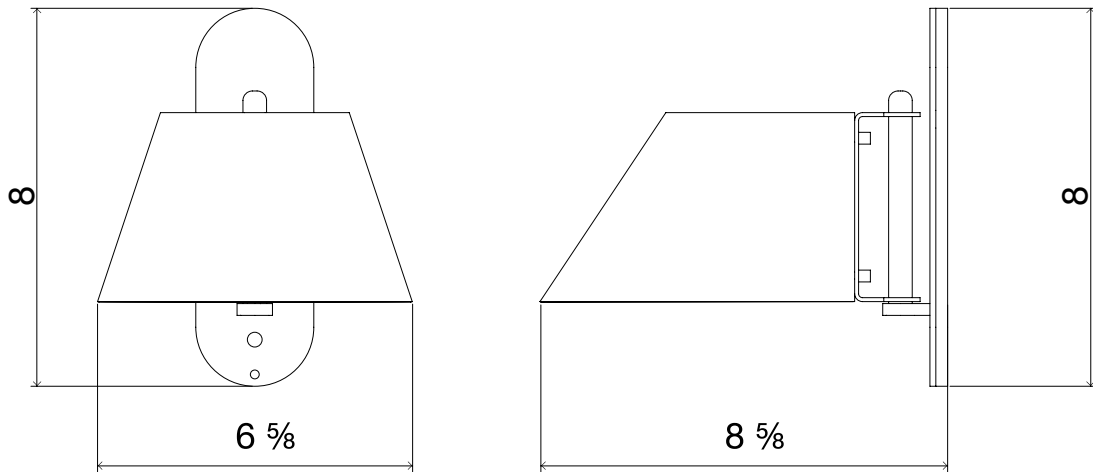


STAHLANDBAND.COM
2308 ABBOT KINNEY BLVD.
(424) 228-4900



KONZE SCONCE

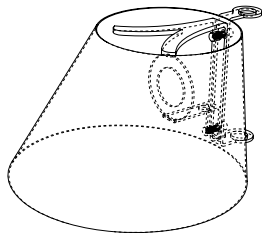
Specifications



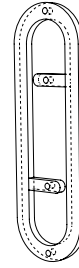


KONZE SCONCE

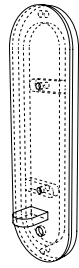
Components



SHADE + SOCKET



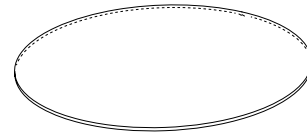
MOUNTING PLATE



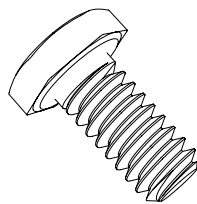
BACK PLATE



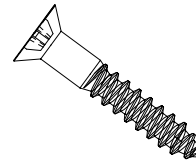
DOWEL



DIFFUSER

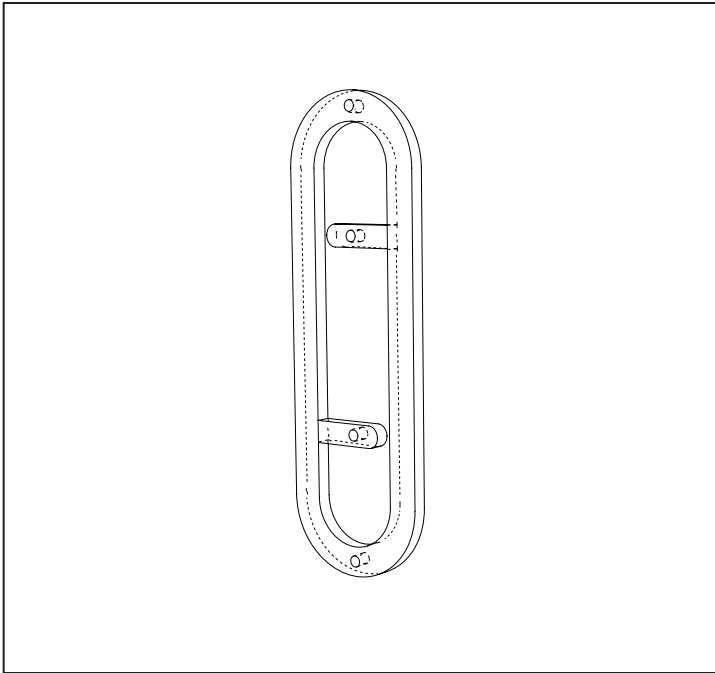


CUSTOM SCREW



SCREWS

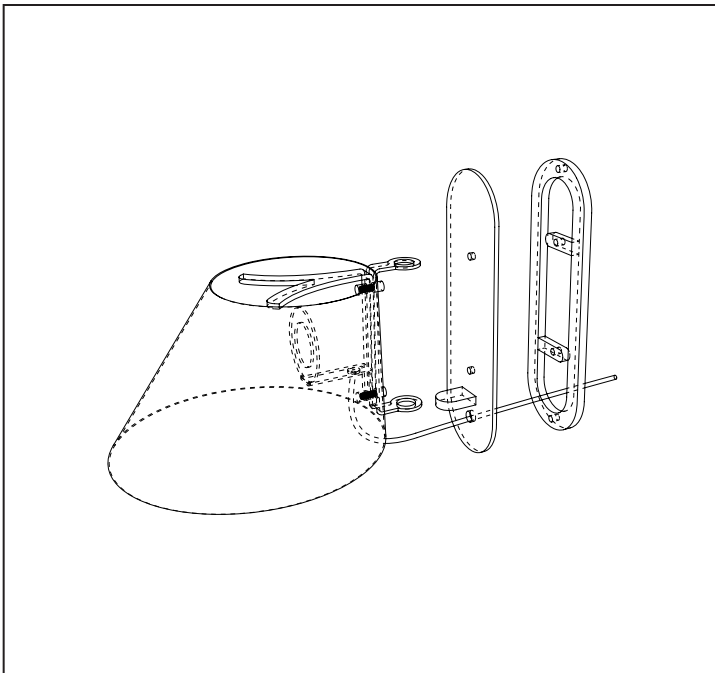
Step 1



Before install, ensure power is off in wall where scone will go.

Installing the Konze Scone will require 2 people. Identify placement of the scone on the wall. Hold mounting plate to wall and use a level to ensure the plate will sit straight. Once plate is level, screw it into wall.

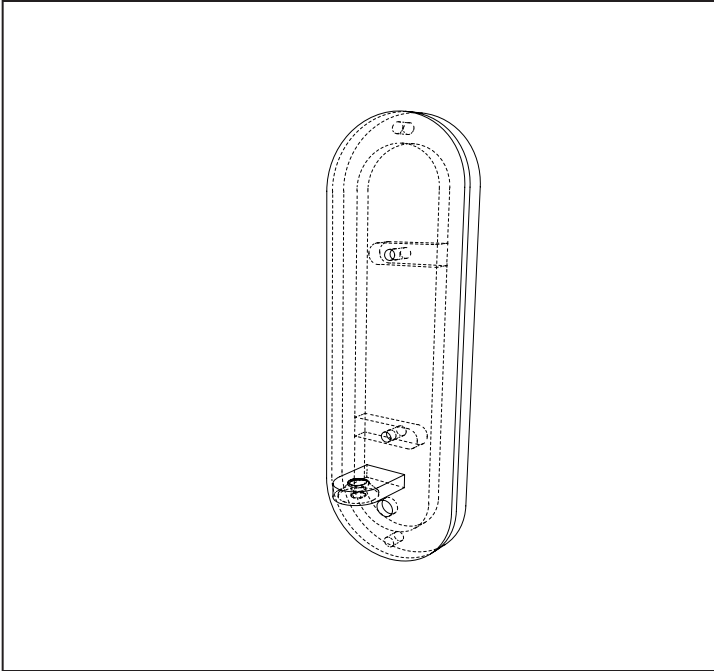
Step 2



Next, one person will need to hold the scone and the back plate while the other threads the wire through the backplate and into the wall. Connect wires to power in wall.

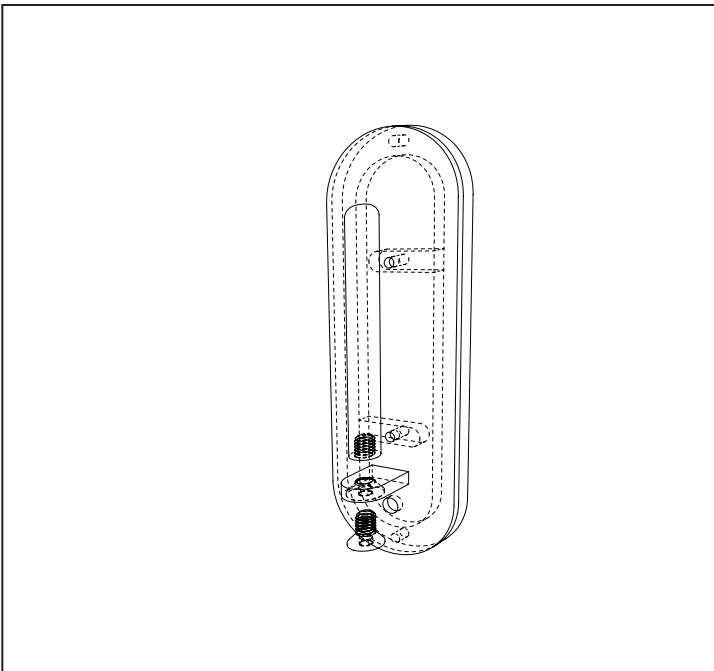
Installation must be completed by a licenced electrician and in compliance with all local laws and regulations.

Step 3



While one person is still holding the sconce, the other will need to screw the backplate into the mounting plate.

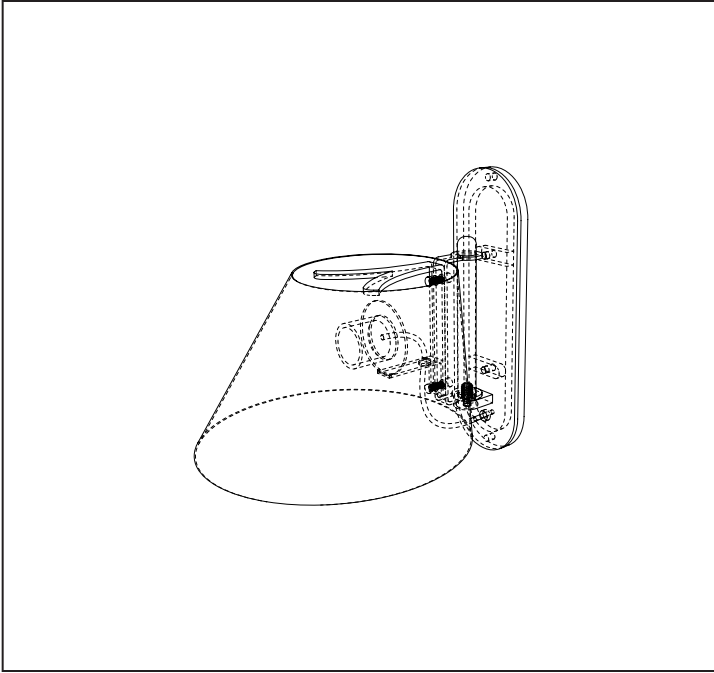
Step 4



Once back plate is screwed to the mounting plate, the dowel will need to be screwed into the backplate from the bottom using provided custom screw.

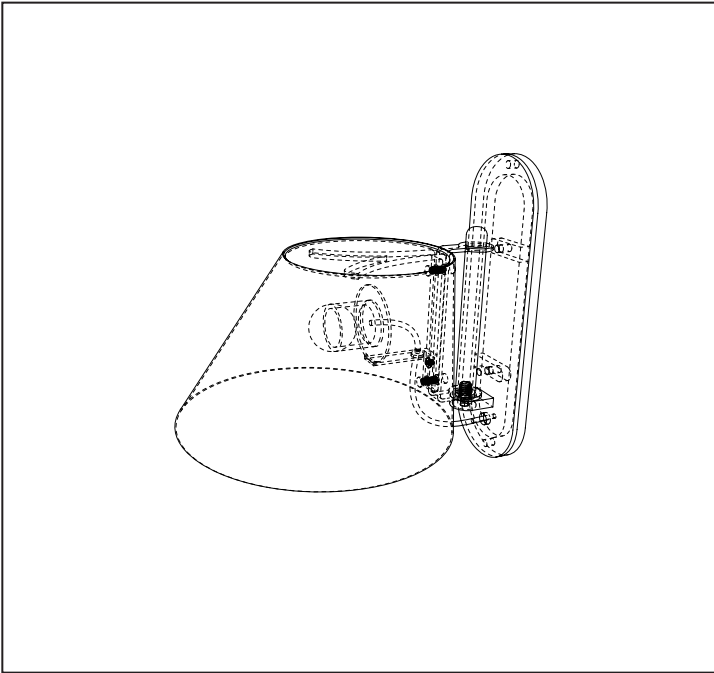
Installation must be completed by a licenced electrician and in compliance with all local laws and regulations.

Step 5



Then, carefully slide brackets on sconce over the dowel. Ensure bottom bracket is touching the base of the backplate.

Step 6



Screw in light bulb to socket and place diffuser on top of sconce.

Once this is done installation is complete. Enjoy.

Installation must be completed by a licenced electrician and in compliance with all local laws and regulations.